

RAPOX[®] 100
99.99 % Al₂O₃ for
Laboratory Ceramics
and Crucibles



Product Info

- Cost-efficient platinum substitute
- High temperature resistant
- Chemically inert

www.rauschert.com

TRADITION
PROGRESS
INNOVATION

Rauschert

Benefits and properties

- High cost-saving potential by substituting RAPOX® 100 for platinum
- No loss of energy through the use of induction heating
- 99.99 % concentration of Al₂O₃ guarantees chemical inertness
- Excellent corrosion resistance to a vast variety of media
- High temperature resistant, melting point at 2,050 °C
- No evaporation losses
- Electrically insulating

Application fields

- Chemical digestion process
- Annealing
- Melting glass
- Crystal growing



v-card

Your contact person

Dr.-Ing. Andreas Glauche
+49 9263 875-504
a.glauche@stb.rauschert.de

Rauschert at a glance

Technical ceramics

Plastic molded parts

Ignition systems & heating elements

Energy & engineering

You can find more contacts and information about our products on our website:

www.rauschert.com

Aluminum Oxide RAPOX® 100 for Laboratory Ceramics and Crucibles

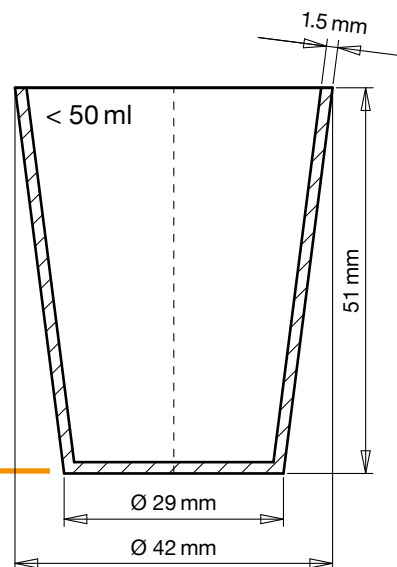
RAPOX® 100 is an Al₂O₃-material of the highest quality, due to its 99.99 % purity, its minimal alkali content and its excellent chemical resistance. In the field of laboratory ceramics, it meets the highest demands and is a cost-efficient alternative to platinum crucibles.

Examples of standard dimensions from our delivery program

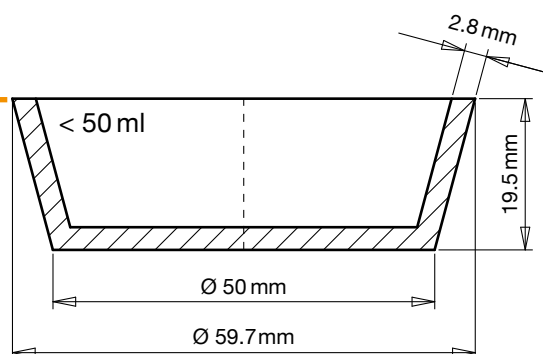
The wall thickness can be adjusted individually. We are also flexible concerning custom-made products and applications.



Art.-Nr. 2107371



Art.-Nr. 2107396



TRADITION
PROGRESS
INNOVATION

Rauschert